

TECHNICAL SPECIFICATION EMKA Gaskets

Description:

These self-locking type gaskets are in various sections according to the standards available.

These profiles are clad in a polyester fabric with a Nickel based electrochemical treatment for the basic properties that are here summarised:

- Electric conductivity and electromagnetic shielding.
- Elevated resistance to friction and corrosion.

Applications

These are utilised for the shielding of electrical and telecommunications lockers, etc., above all when there is an interlocking attachment system, in the same way that the same non-conductive gaskets are used.

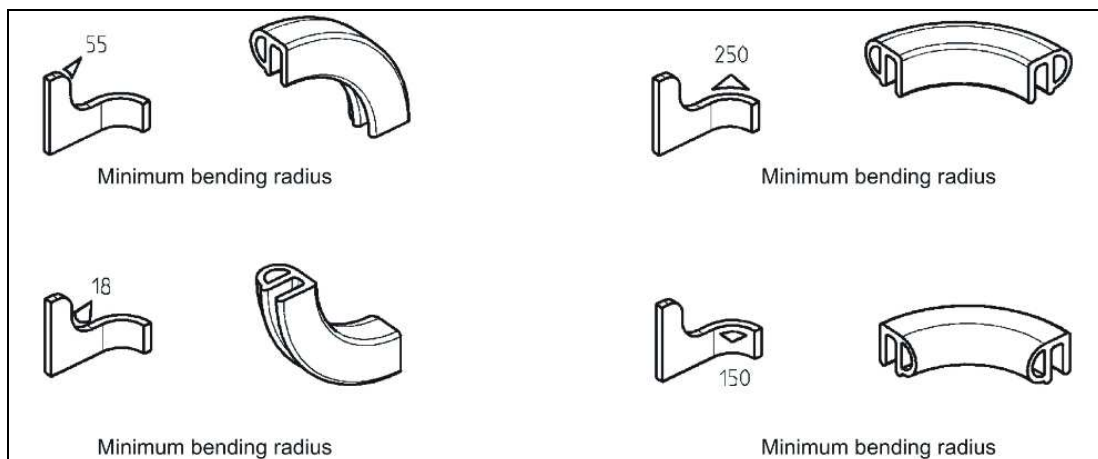
Provision

In spools, in pieces cut to size or in thermally welded frames as per client plans, ready for installation.

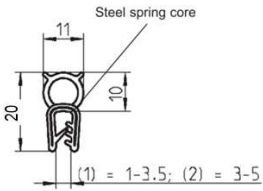
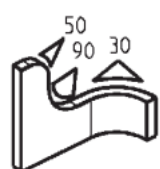

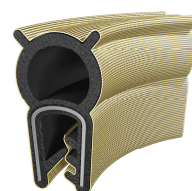
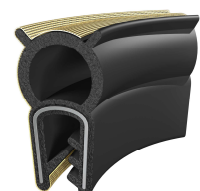
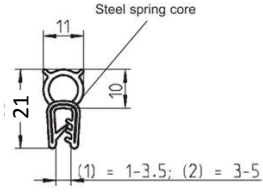
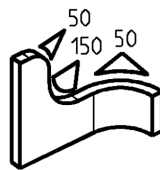

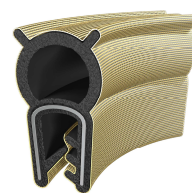
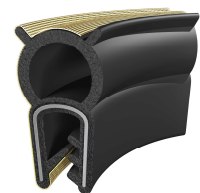
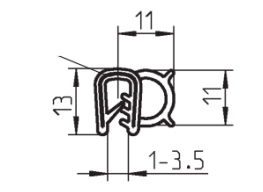
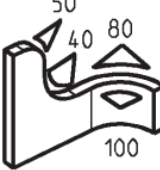

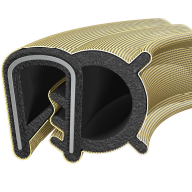
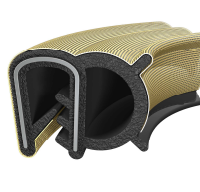
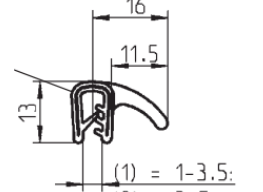
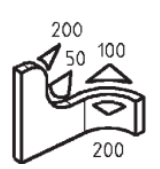


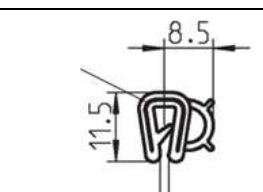




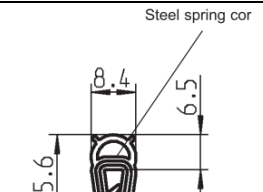
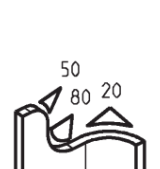


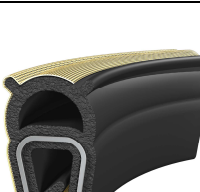
PART NUMBER FORMULATION

Example: 1011-05-E.SC

1. Section Type



How to read column 2 - Bending Radius

				
1011-05		1011-05 (40.0077)	1011-05-E-SC (30.0070)	1011-05-E-HSC (30.0804)
				
1011-49		1011-49 (40.1203)	1011-49-E-SC (30.10030)	1011-49-E-HSC
				
1011-06		1011-06 (40.0081)	1011-06-E-SC (30.0069)	1011-06-E-HSC (30.1800)
				
1011-08		1011-08 (40.0083)	1011-08-E-SC (30.0152)	
				
1011-09		1011-09 (40.5453)	1011-09-E-SC (30.0059)	1011-09-E-HSC (N.A.)
				
1011-10		1011-10 (40.0078)	1011-10-E-SC (30.0078)	1011-10-E-HSC (30.0915)

Tolerances of the product are defined according to "IO_PRD1_02 Parameters and Tolerances" Ed. 3 del 05-04-12.
 Example: 1011-05-E.SC

2. Materials

CLAMPING PROFILE

MATERIAL:	EPDM
COLOR:	Black
HARDNESS:	65 +/-5 Shore A
METAL PART:	Steel wire
TEMPERATURE RANGE:	-40 + 130 °C

HOLLOW SECTION

MATERIAL:	EPDM SPONGE
COLOR:	Black
HARDNESS:	20 +/-5 Shore A
TEMPERATURE RANGE:	-40 + 130 °C

Flammability rating: UL94 HB

Non-resistant against: carbon hydrochlorides, greases, oil and fuels.

3. Fabric Type

Fabric type	STATIC CLEAN
Code	SC
Base material	Polyester fabric
Test Report	RP6900
Coating	100% Nickel

	Magnetic field (dB)				Electric field (dB)			
Freq. (MHz)	3	10	20	30	2	10	20	30
dB (1 Layer)	15	20	30	40	105	65	62	65

	Electric field and plane wave (dB)					Plane Wave (dB)				
Freq. (MHz)	200	400	500	700	800	1000	5000	10000	15000	18000
dB (1 Layer)	55	65	60	60	70	60	63	53	53	55

4. Type of supply

Supplied in linear meters. Standard rolls length is 50 meters.

Particular supply can also be requested: thermally welded frames, ready for installation (minimum development for o-rings gaskets 700-800 mm, minimum size for frame gasket 170 mm)

Example: 1011-05-E.SC **1006X881MM VULCANIZZATA**
 1011-05-E.SC **765,3X835 MM TERMOSALDATA**