

## TECHNICAL SPECIFICATION EMKA Gaskets

### Description:

These self-locking type gaskets are in various sections according to the standards available.

These profiles are clad in a polyester fabric with a Nickel based electrochemical treatment for the basic properties that are here summarised:

- Electric conductivity and electromagnetic shielding.
- Elevated resistance to friction and corrosion.

### Applications

These are utilised for the shielding of electrical and telecommunications lockers, etc., above all when there is an interlocking attachment system, in the same way that the same non-conductive gaskets are used.

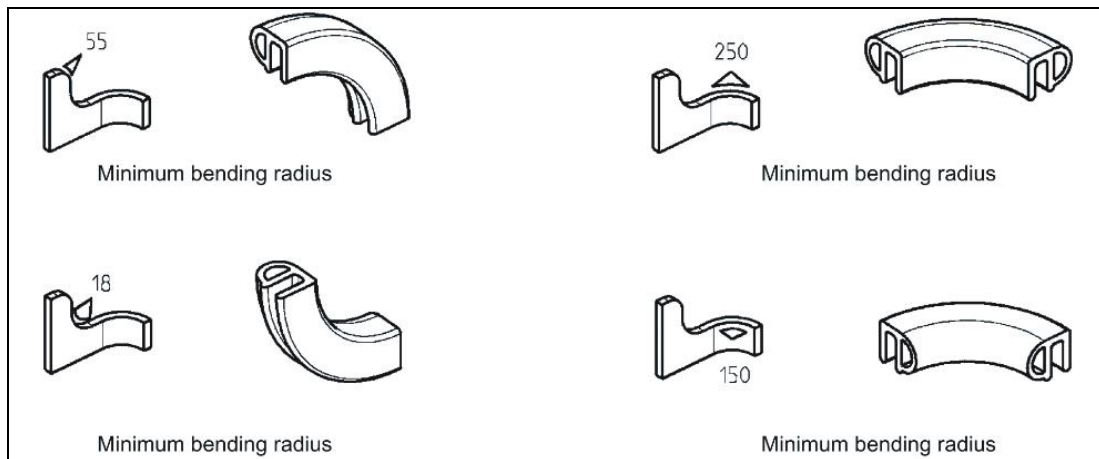
### Provision

In spools, in pieces cut to size or in thermally welded frames as per client plans, ready for installation.

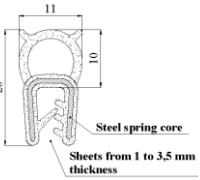




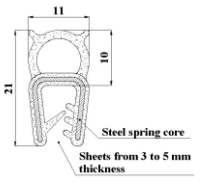
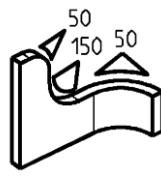



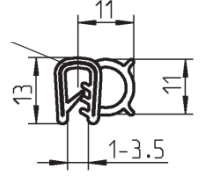
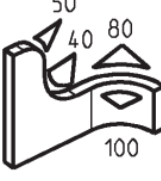



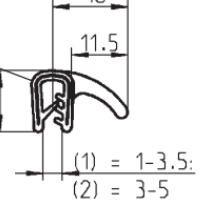
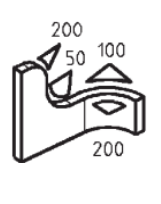


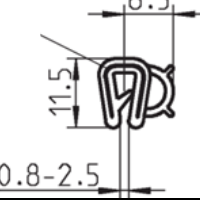
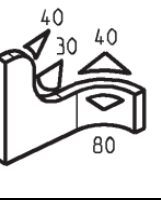



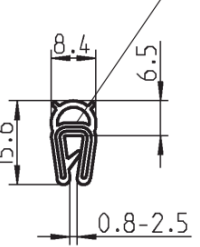
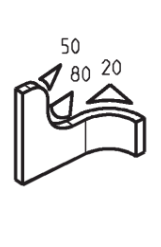



### PART NUMBER FORMULATION

Example: 1011-05-E.SC

### 1. Section Type



**How to read column 2 - Bending Radius**

				
<b>1011-05</b>	D.05.20.10	1011-05 (40.10606)	1011-05-E-SC (30.0070)	1011-05-E-HSC (30.0804)
				
<b>1011-49</b>	D.49.21.10	1011-49 (40.1203)	1011-49-E-SC (30.10030)	1011-49-E-HSC (30.10609)
				
<b>1011-06</b>	L.06.13.11	1011-06 (40.0081)	1011-06-E-SC (30.0069)	1011-06-E-HSC (30.1800)
				
<b>1011-08</b>	L.08.13.11	1011-08 (40.0083)	1011-08-E-SC (30.0152)	
				
<b>1011-09</b>	L.09.11,5.8,5	1011-09 (40.5453)	1011-09-E-SC (30.0059)	1011-09-E-HSC(30.10311)
				
<b>1011-10</b>	D.10.15,6.6,5	1011-10 (40.0078)	1011-10-E-SC (30.0078)	1011-10-E-HSC (30.0915)

Tolerances of the product are defined according to "IO\_PRD1\_02 Parameters and Tolerances" Ed. 3 del 05-04-12.  
 Example: 1011-05-E.SC

## 2. Materials

### CLAMPING PROFILE

MATERIAL:	EPDM
COLOR:	Black
HARDNESS:	65 +/-5 Shore A
METAL PART:	Steel wire
TEMPERATURE RANGE:	-40 + 130 °C

### HOLLOW SECTION

MATERIAL:	EPDM SPONGE
COLOR:	Black
HARDNESS:	20 +/-5 Shore A
TEMPERATURE RANGE:	-40 + 130 °C

**Flammability rating:** UL94 HB

**Non-resistant against:** carbon hydrochlorides, greases, oil and fuels.

## 3. Fabric Type

<b>Fabric type</b>	STATIC CLEAN
<b>Code</b>	SC
<b>Base material</b>	Polyester fabric
<b>Test Report</b>	RP6900
<b>Coating</b>	100% Nickel

	Magnetic field (dB)				Electric field (dB)			
Freq. (MHz)	3	10	20	30	2	10	20	30
dB (1 Layer)	15	20	30	40	105	65	62	65

	Electric field and plane wave ( dB)					Plane Wave (dB)				
Freq. (MHz)	200	400	500	700	800	1000	5000	10000	15000	18000
dB (1 Layer)	55	65	60	60	70	60	63	53	53	55

## 4. Type of supply

Supplied in linear meters. Standard rolls length is 50 meters.

Particular supply can also be requested: thermally welded frames, ready for installation (minimum development for o-rings gaskets 700-800 mm, minimum size for frame gasket 170 mm)

Example: 1011-05-E.SC **1006X881MM VULCANIZZATA**  
1011-05-E.SC **765,3X835 MM TERMOSALDATA**